

MOTION SENSORS

Many areas like lobbies, parking garages, staircases remain unused for long hours, but do need lighting to be lit automatically in case of movement. A motion sensor is a device which detects movements, and in some cases light conditions and then transmits a signal for illumination.

PRODUCT FEATURES

- Power saving
- Available for in-door and out door purposes
- Compatible with most of our models
- Proven quality from reliable suppliers
- Wide range of models to choose from

APPLICATIONS

- Outdoor Areas like parking garages, Gardens compounds and yards
- Indoor areas like walkways, lobbies and staircases.



Max. **1000W**
VT-8027

5086
Time Delay
Adjustable



Max. **1000W**
VT-8027

5087
Time Delay
Adjustable



Model No.	VT-8027	VT-8027
Sensor Type	Infrared	Infrared
Color	White	Black
Detection Range	360°D	360°D
Voltage	AC: 220-240V,50Hz	AC: 220-240V,50Hz
Rated Load	Max.1000W	Max.1000W
Detection Distance	Max.6m (<24° C)	Max.6m (<24° C)
Time Delay	*10sec±3sec-5min±1 min	*10sec±3sec-5min±1 min
Ambient Light	*<3-2000LUX	*<3-2000LUX
Body Type	PC	PC
Detector	One	One
IP Rating	IP20	IP20
Dimension	625 x 220 x 265mm	625 x 220 x 265mm

EAN Code **3800157609173**

3800157609180



IP44

Max. **400W** 5088
VT-8028 Time Delay
Adjustable



IP44

Max. **400W** 5089
VT-8028 Time Delay
Adjustable



Max. **300W** 5090
VT-8029 Time Delay
Adjustable



Max. **400W** 5091
VT-8030 PIR Sensor
Moving Head



Model No.	VT-8028	VT-8028	VT-8029	VT-8030
Sensor Type	Infrared	Infrared	Infrared	Infrared
Color	White	Black	White	White
Detection Range	180°D	180°D	360°D	360°D
Voltage	AC: 220-240V,50/60Hz	AC: 220-240V,50/60Hz	AC: 220-240V,50/60Hz	AC: 220-240V,50/60Hz
Rated Load	Max.400W	Max.400W	Max.300W	Max.400W
Detection Distance	Max.6m (<24° C)	Max.6m (<24° C)	Max.6m (<24° C)	Max.6m (<24° C)
Time Delay	*10sec±3sec-5min±1min	*10sec±3sec-5min±1min	*10sec±3sec-5min±1min	*10sec±3sec-5min±1min
Ambient Light	*<3-2000LUX	*<3-2000LUX	*<3-2000LUX	*<3-2000LUX
Body Type	PC	PC	PC	PC
IP Rating	IP20	IP20	IP20	IP20
Dimension	445 x 345 x 19mm	445 x 345 x 19mm	10 x 78 x 82mm	98 x 73 x 82mm

EAN Code	3800157609197	3800157609203	3800157609210	3800157609227
----------	---------------	---------------	---------------	---------------



Max. **60W**
VT-8005 4982
Time Delay
Adjustable



• IP44

Max. **300W**
VT-8003 4967
Time Delay
Adjustable



• IP44

Max. **300W**
VT-8003 5077
Time Delay
Adjustable



Model No.	VT-8005	VT-8003	VT-8003
Sensor Type	Infrared	Infrared	Infrared
Color	White	White	Black
Detection Range	360°D	180°D	180°D
Voltage	AC: 110-240V,50/60Hz	AC: 220-240V,50Hz	AC: 220-240V,50Hz
Rated Load	Max.60W(E27)	Max.300W	Max.300W
Detection Distance	Max.6m (<24° C)	max.12m (<24° C)	max.12m (<24° C)
Time Delay	*10sec±3sec-5min±1min	*10 sec to 7min	*10 sec to 7min
Ambient Light	*<3-2000LUX	*<3-2000LUX	*<3-2000LUX
Body Type	Plastic	PC	PC
Detector	/	One	One
IP Rating	IP20	IP44	IP44
Dimension	Ø55.5 x 116.5mm	86.4 x 60.4 x 98mm	86.4 x 60.4 x 98mm



EAN Code

3800157600071

3800230625823

3800157606875



Max. **300W**
VT-8004

4968
Time Delay
Adjustable



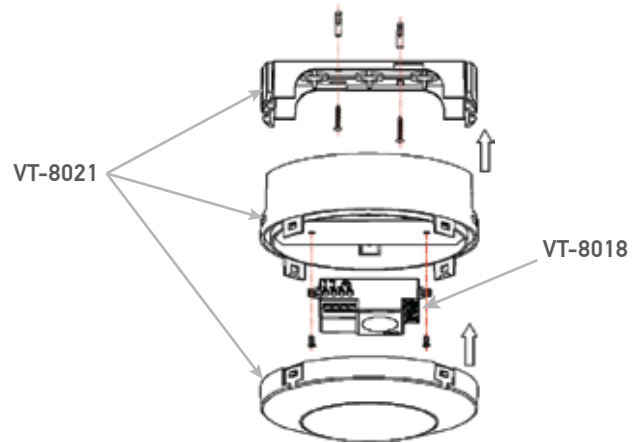
Max. **300W**
VT-8018

5078
Time Delay
Adjustable



IP65
VT-8021

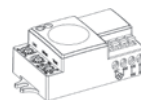
5079
HOUSING FOR
MICROWAVE SENSOR



Model No.	VT-8004	VT-8018	VT-8021
Sensor Type	Infrared	Microwave	Microwave
Color	White	White	White
Detection Range	360°D	180°/360°D	-
Voltage	AC: 220-240V,50Hz	AC: 220-240V,50/60Hz	-
Rated Load	Max.300W	Max.300W	-
Detection Distance	max.12m (<24° C)	*1-8m (radius)	-
Time Delay	*10 sec to 7 min	*5 sec to 15 min	-
Ambient Light	*<3-2000LUX	*<3-2000LUX	-
Body Type	PC	Plastic	Plastic
Detector	Three	One	-
IP Rating	IP44	IP20	IP65
Dimension	88 x 55mm	37 x 25 x 61.5mm	Φ134 x 66.5mm



EAN Code **3800230625830**



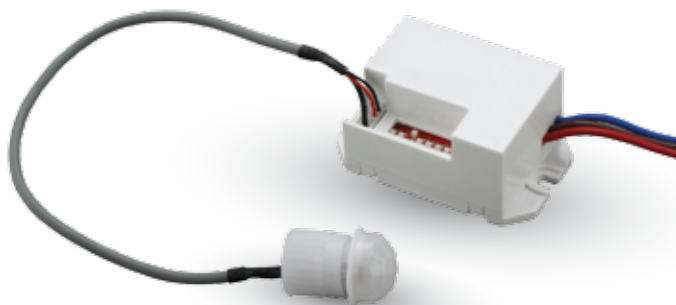
3800157606882



3800157606899



IP44 5081
Time Delay
Adjustable
VT-8019



Max. **800W** 5082
Time Delay
Adjustable
VT-8022



Max. **1200W** 5083
Time Delay
Adjustable
VT-8023



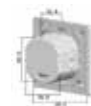
Model No.	VT-8019	VT-8022	VT-8023
Sensor Type	Photocell	IR Motion	Microwave
Color	White	White	White
Detection Range	360°D	120°/360°D	180°D
Voltage	AC: 110-240V, 50/60Hz	AC: 110-240V, 50/60Hz	AC: 220-240V, 50/60Hz
Rated Load	Max.500/800W	Max.500/800W	Max.1200W
Detection Distance	3m/6m(choice) (<24°C)	3m/6m(choice) (<24°C)	*5m - 15m
Time Delay	*5 sec to 8 min	*5 sec to 8 min	*10 sec to 12 min
Ambient Light	*<5-15LUX	*<10-2000LUX	*<3-2000LUX
Body Type	Plastic	Plastic	Plastic
Detector	One	One	One
IP Rating	IP44	IP20	IP20
Dimension	35.5 x 46 x 44.1mm	36.8 x 25.5 x 55.4mm	80 x 80 x 32mm



EAN Code 3800157608015



EAN Code 3800157608022



EAN Code 3800157608039



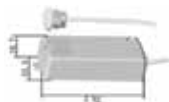
Max. **300/500W** 5084
VT-8025 ON/OFF VIA
MOVING HAND



Max. **300/500W** 5085
VT-8026 ON/OFF VIA THE OPENING
AND CLOSING OFF THE DOOR



Model No.	VT-8025	VT-8026
Sensor Type	Motion	Motion
Color	White	White
Detection Range	360°D	360°D
Voltage	AC: 110-240V, 50/60Hz	AC: 110-240V, 50/60Hz
Rated Load	Max.300/500W	Max.300/500W
Detection Distance	5cm/6cm (<24°C)	5cm/6cm (<24°C)
Body Type	Plastic	Plastic
Detector	One	One
IP Rating	IP20	IP20
Dimension	35.5 x 78.2 x 18.7mm	35.5 x 78.2 x 18.7mm



EAN Code 3800157608046



EAN Code 3800157608053